




PRORACK

Powered by PROLINK


We provide customers with satisfactory products and services according to international standards, to meet different customer needs.




Description:

 Wall mount cabinet with glass door, 1 fan, 1 shelf and 1 PDU 6 outlet.


Main material:

 Cold-rolled steel










Load capacity:

 Static load: 800KG

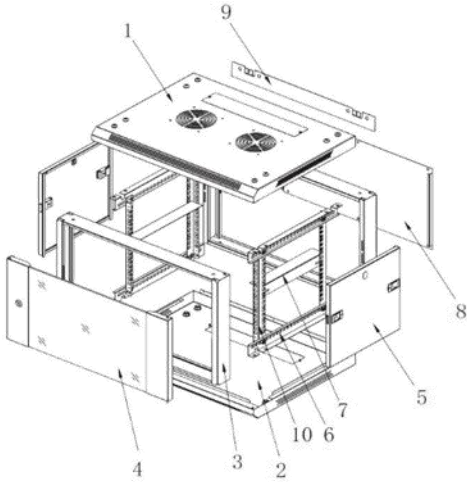
Surface treatment:

 Degreasing, pickling, phosphating, laundering, powder coating

Features:

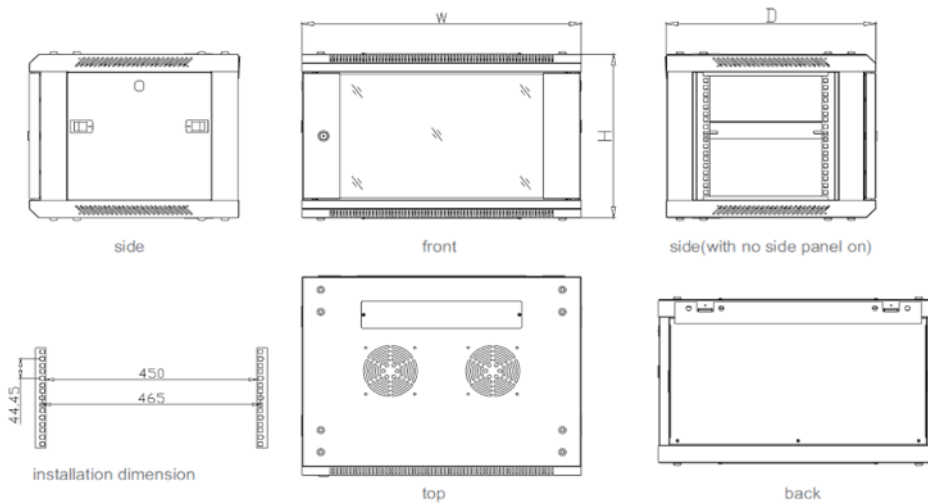
-  Exquisite design with precise dimensions and craftsmanship
-  Two side panels for each side can be separately open with locks, which are easy to operation and maintenance
-  Two back sides with multifunctional cable routing panels
-  High-class locks
-  Casters and support feet can be installed simultaneously
-  Optional pedestals for fixation, cable routing, ventilation, and rat proof
-  Curved front screen door & back double screen door enable equipment to ventilate well
-  Various optional accessories
-  Pro-Rack logo is printed on the side panel

Structure

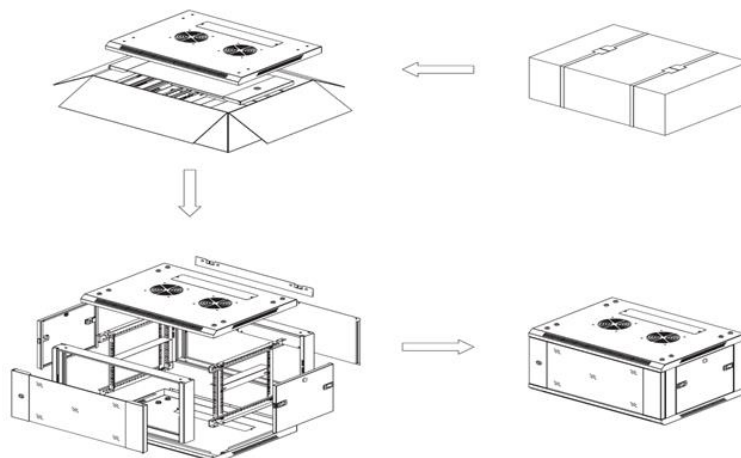


1. Top cover
2. Bottom plate
3. Frame
4. Front door
5. Side panel
6. Horizontal bracket
7. L-shaped bar
8. Back panel
9. Mounting panel
10. Profile Rail

Size



Installing



Technical parameters:

NANES	QUANTITY	UNIT	MATERIALS	SURFACE TREATMENT	REMARKS
Top Covers	1	Pc	1.0mm cold-rolled steel	powder coating	
Bottom plates	1	Pc	1.0mm cold-rolled steel	powder coating	
Frames	2	Pc	1.0mm cold-rolled steel	powder coating	
Front doors	1	Pc	5mm tempered glasses 1.2mm cold-rolled steel	powder coating	Glass Door Type B
Side panels	2	Pc	1.2mm cold-rolled steel	powder coating	
Horizontal brackets	4	Pc	1.2mm cold-rolled steel	powder coating	
L-shaped panels	2	Pc	1.2mm cold-rolled steel	powder coating	
Back panels	1	Pc	1.0mm cold-rolled steel	powder coating	
Wall hanging panels	1	Pc	1.2mm cold-rolled steel	powder coating	
Profile rails	4	Pc	1.5mm cold-rolled steel	powder coating	
Cage nuts	20	Pc		powder coating	
Sockets with 6 outlet	1				
Fans	1	Pc	1.2mm cold-rolled steel	powder coating	
Shelves	1	Pc	1.2mm cold-rolled steel	powder coating	

TYPES	PR-W6612
CAPACITY (U)	12U
WIDTH	600
DEPTH	600
HEIGHT	636
WHOLE PACKAGE	
WIDTH	620
DEPTH	620
HIGHT	660
VOLUME (M ³)	0.254
FLAT PACKAGE	
PACKAGE	620*660*170
VOLUMES (M ³)	0.070
Front Door	Glass

Color:

 **BLACK (RAL9005)**